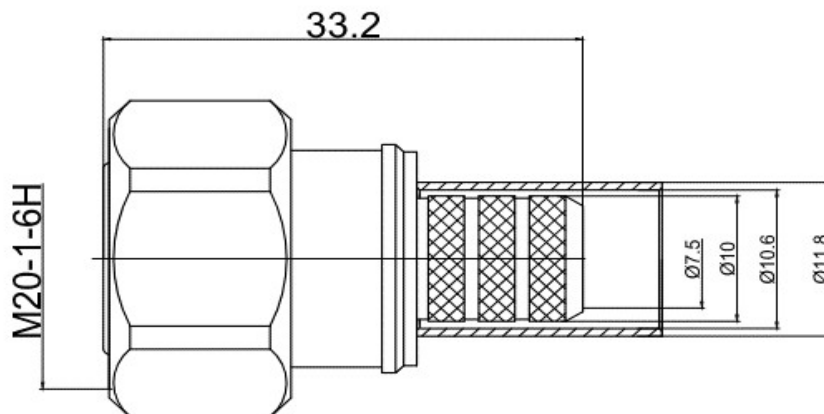


# 4.3-10 male crimp für RF400



## Material & Finishing

- 1.Center conductor :Brass,Gold Plating
- 2.Insulators : PTFE
- 3.Body: Brass,Ternary alloy Plating
- 4.Other: Brass,Ternary alloy/Nickel Plating
- 5.Gasket: Silicone Rubber

## Electrical Data

- 1.Characteristic Impedance: 50 Ohms
- 2.Frequency: 0~6GHz
- 3.VSWR: 1.15(DC-3GHz)
- 4.Dielectric Resistance:  $\geq 5000\text{M}\Omega$
5. Contact Resistance

Center Contact :1.0m $\Omega$  Max;

Outer Contact : 1.0m $\Omega$  Max.

RoHS Compliant.